

أنظمة ملاحة الطائرة

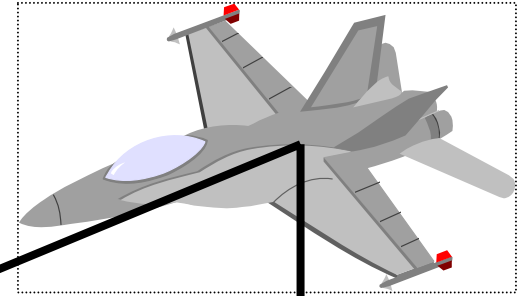
AIRCRAFT NAVIGATION SYSTEMS

أنظمة القياس

VOR / DME / TACAN

Error increases as
aircraft nears station

Slant Range



Ground Distance



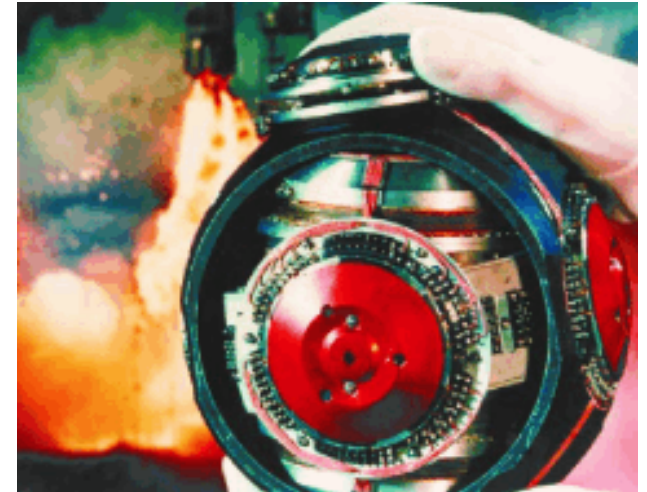
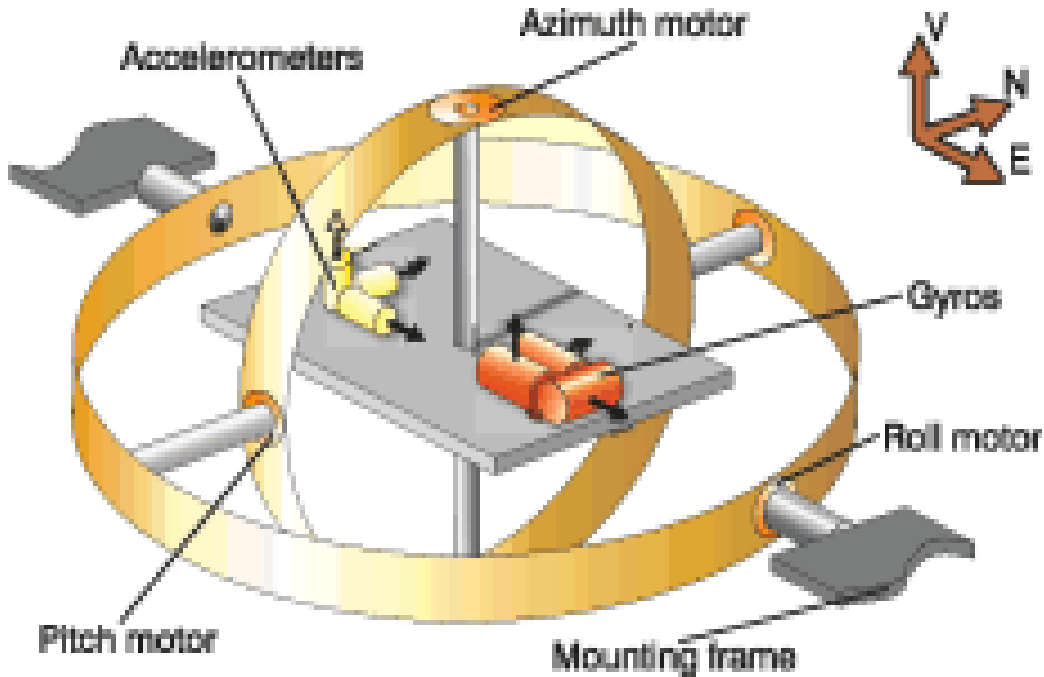
Station

أنظمة ملاحة الطائرة

AIRCRAFT NAVIGATION SYSTEMS

نظام الملاحة الثابت

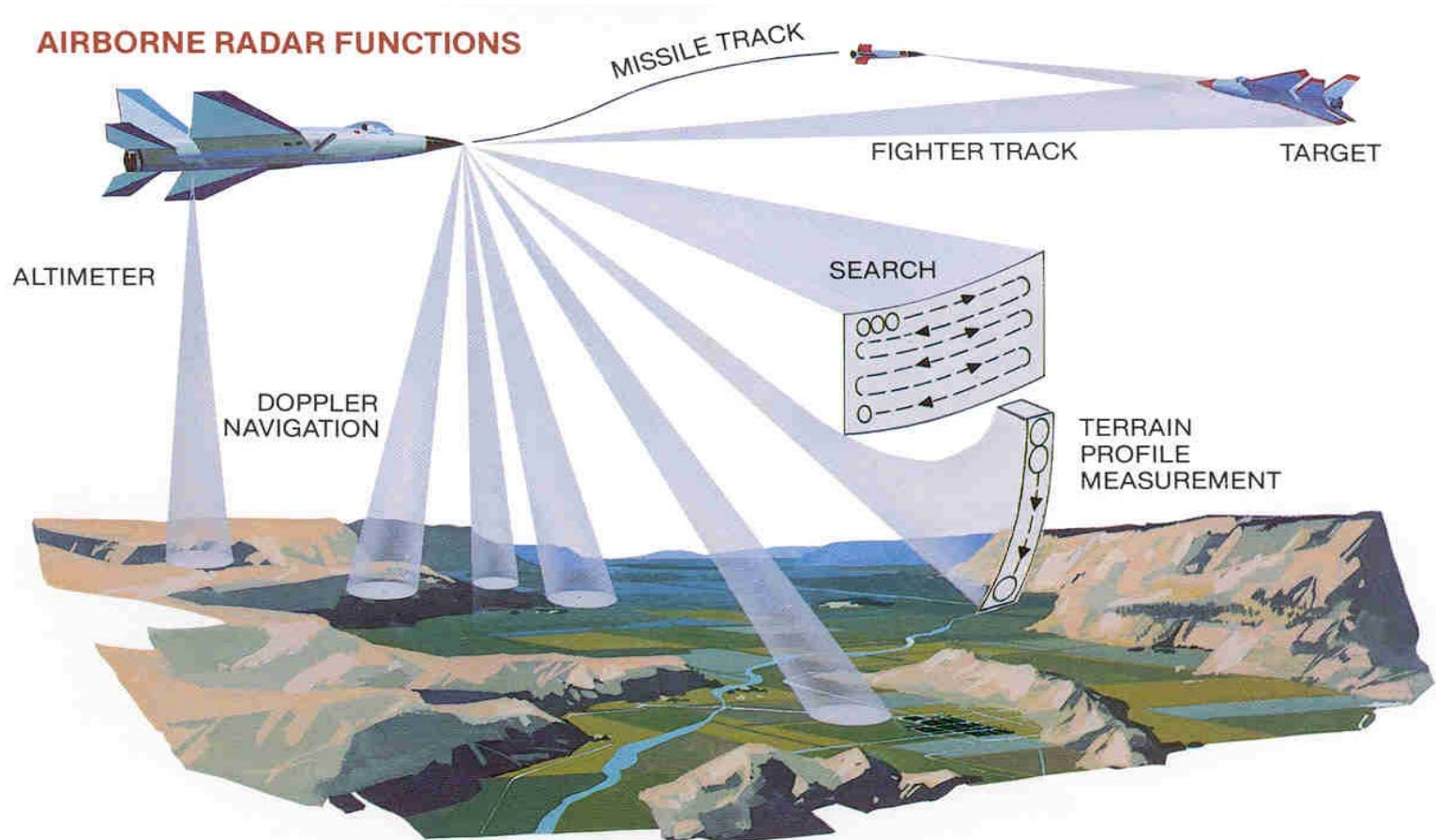
INERTIAL NAVIGATION SYSTEM (INS)



الرادار RADAR

AIRBORNE RADAR

الرادار المحمول جواً

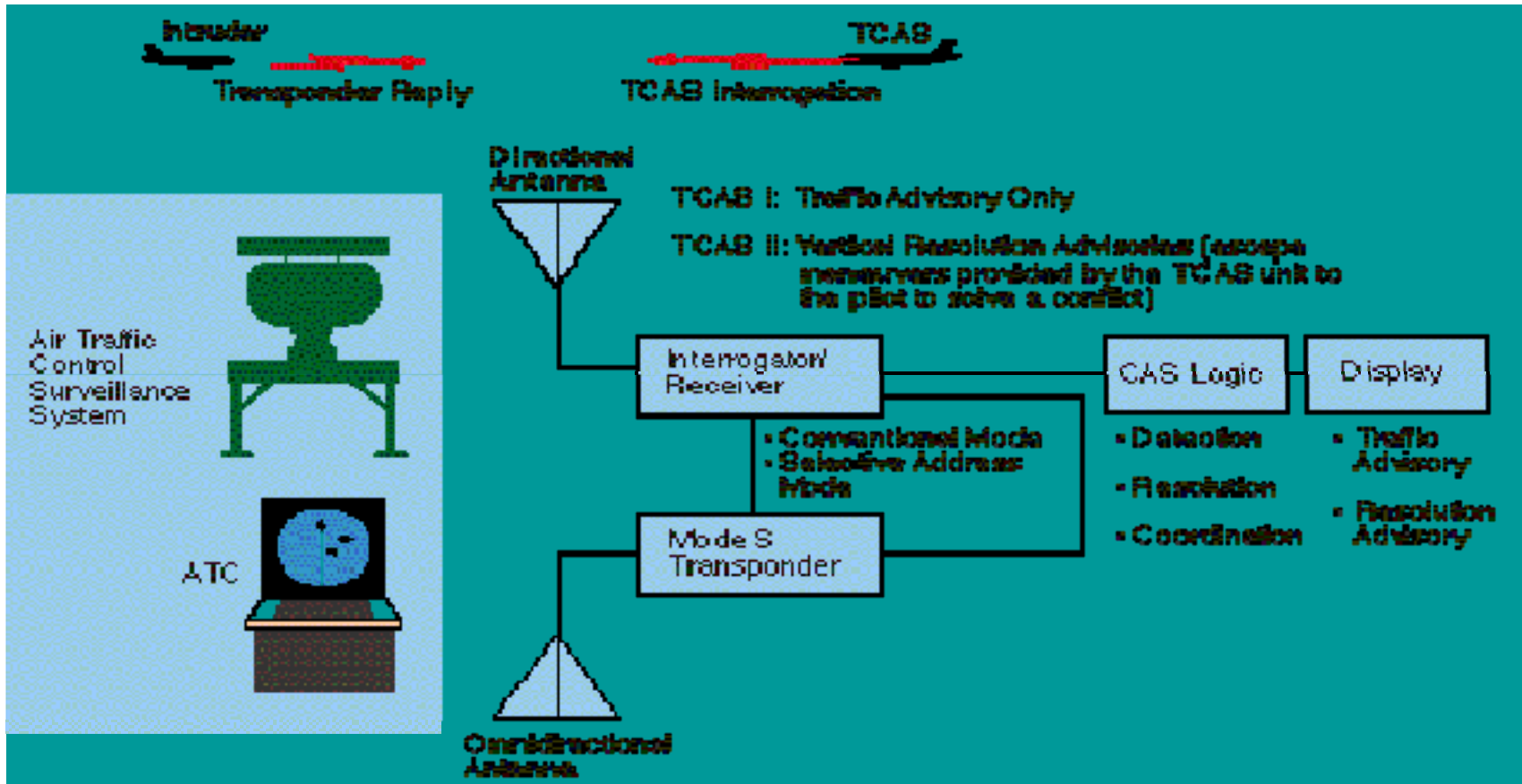


أنظمة أخرى

OTHER SYSTEMS

نظام تقادي الإصطدام الجوي

TRAFFIC COLLISION AVOIDANCE SYSTEM (TCAS)



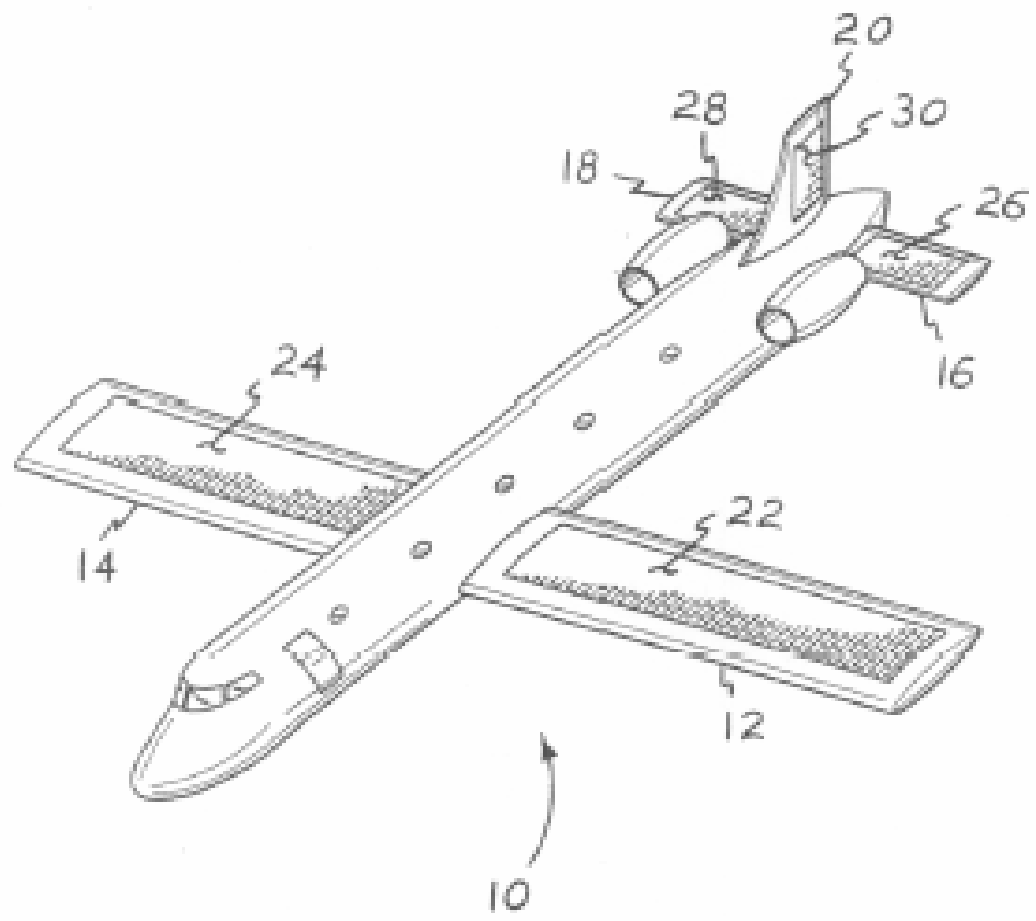


Fig. 1A



الأبحاث المنشورة في أرقى الدوريات العالمية

TRANSACTIONS

OF

THE JAPAN SOCIETY FOR AERONAUTICAL AND SPACE SCIENCES

ISSN 0549-3811



CONTENTS

An Inverse Method of Estimating the Tail-Off Mean Aerodynamic Center and the Moment Coefficient at Zero-Lift from the Flight-Measured Horizontal Tail Loads and Relative Parameters	Xi CAO	1
One-Dimensional Analytical Approximate Solution of Incompressible Viscous Laminar Oscillating Pipe Flow and Its Comparison to the Exact Uhlir's Solution	Etsuo MORISHITA	9
Synthesis of a Falling Body Controller with Modeling Error of Aerodynamic Force	Hessameddin Ebneddin HAMIDI and Yoshiaki NAKAMURA	19
Modeling Failure Rate for Fokker F-27 Tires Using Neural Network	Ahmed Z. AL-GARNI, Saad A. AHMED and Mohsin SIDDIQUI	29
Buckling of Circular Cylindrical Shell under Beam-Like Bending (1st Report) Experiment	Hiramitsu OTSUKA and Tatsuzo KOGA	38
Simultaneous Control Experiment of Orientation and Arm Position of Space Robot Using Drop Shaft	Toshiaki IWATA, Hiroshi MURAKAMI, Kenzo KADAMA, Fumio NUMAJIRI and Toshiyuki SUZUKI	46
Abstracts of the Papers Published in Journal of the Japan Society for Aeronautical and Space Sciences		55

VOLUME 41
NUMBER 121